

PRODUCT SHEET / 2019 02 08

JungleWall

Wall absorbent

Design: Superlab



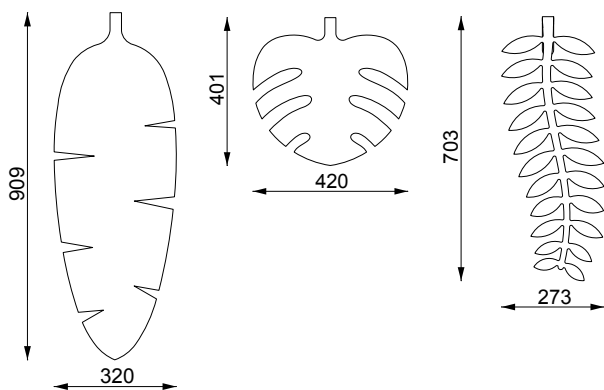
JungleWall

Wall absorbent

Design: Superlab

JungleWall is a series of sound absorbent leafs in different patterns. The material is made of felt and the leafs are mounted in a way that creates a distance to the wall. In addition, the material in JungleWall, along with the distance to the wall, creates a good condition for sound absorption. JungleWall is advantageously used in large quantities in a workplace / public environment like a background wall.

DIMENSIONS



Banana Leaf

Monstera

Royal Fern

3 different leafs.

Thickness: 5 mm

Weight: 800 g/m² (appr. 100 g / leaf)

Material: Felt 100% polyester

100% recyclable material.

Deliveres in 6-pack / leaf.

Complete with fittings.

DESCRIPTION

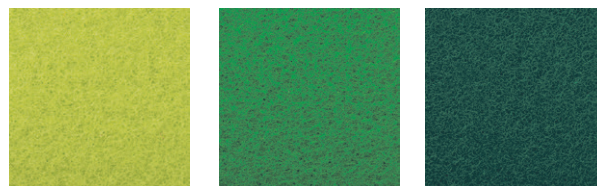
Leaf: 5 mm polyester felt

Hook: solid ash

Mounting: Screw and hook screwed directly onto wall.

FABRIC AND PIPING

Green colours 446, 447, 448. Other colours on quote.



446

447

448

OPTIONS

Stained hook.

CERTIFICATES

Glimakra of Sweden AB is certified according to ISO 9001:2015 and ISO 14001:2015.



Composition: 100 % Polyester

Fire Reaction Certification

- Norm EU: B-s1, d0
- Norm USA : ASTM E84 (class A)

Abrasion resistance:

- UNE EN ISO 12947-2 : Class A
- ISO 12947- 2 / AC : > 50.000 Cycles

Light to fastness

- ISO 105-B02: 6/7

Classification of sound absorption

- EN ISO 11654: W = 0,15 (H)

REACH & STANDARD 100 by OEKO-TEX®

SPECIFICATION TEXT

Ex: JungleWall wall absorbent in felt.

Suspension with hook in solid ash.

6 pcs Banana Leaf green 448

6 pcs Monstera green 448

6 pcs Royal Fern green 448

JungleWall

Wall absorbent

Design: Superlab

ASSEMBLY EXAMPLE

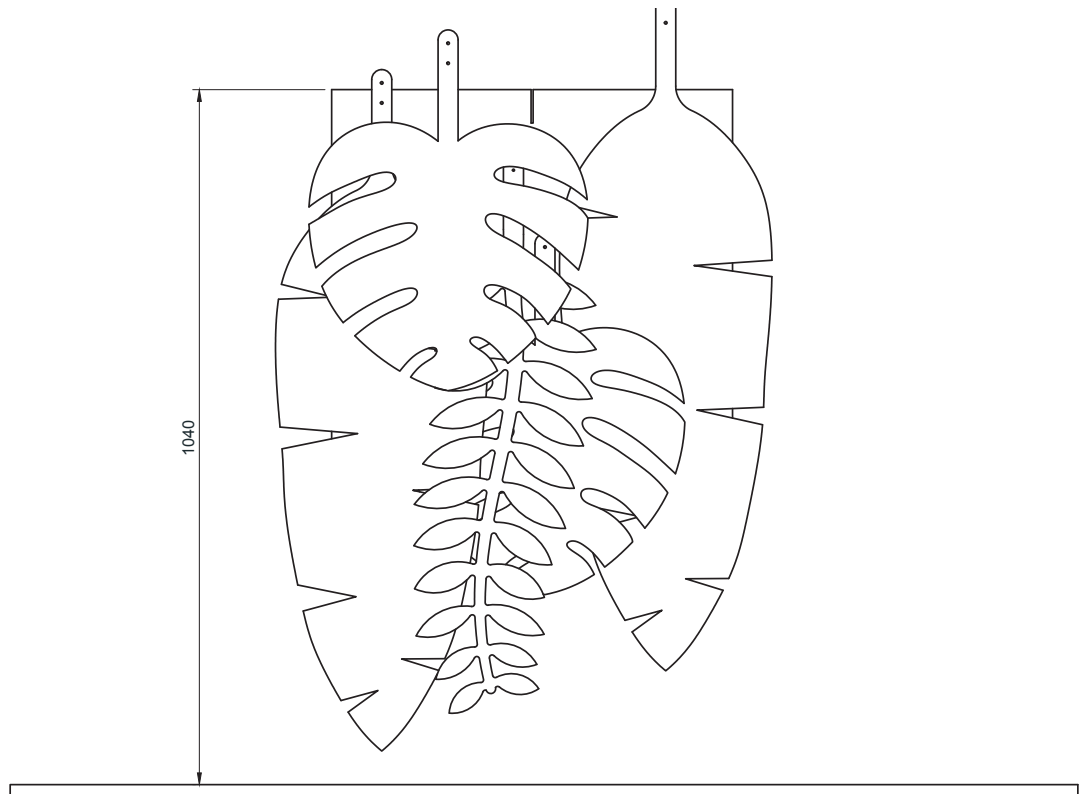
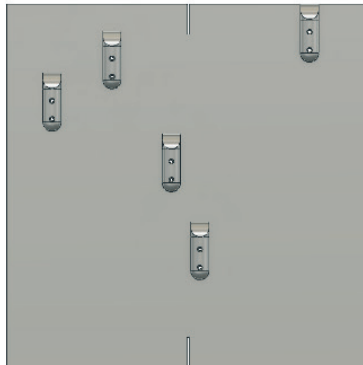
In the template there are 5 leafs per
600 x 600 mm.

2 Banana leaves, 2 Monstera and

1 Royal Fern.

This is then repeated aside.

When repeating upwards, the "disc"
is moved 300 mm.



JungleWall

Wall absorbent

Design: Superlab

